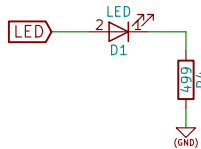
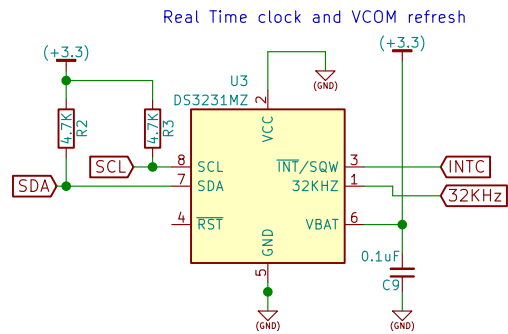
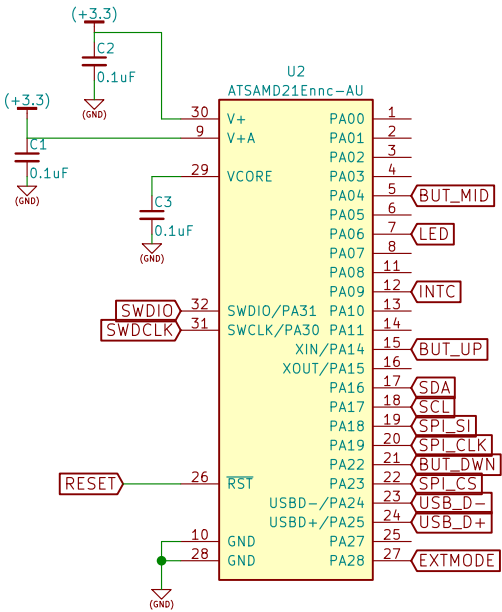
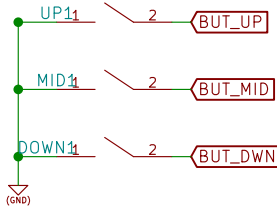
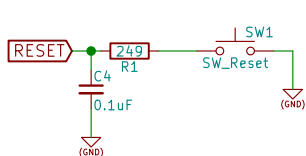
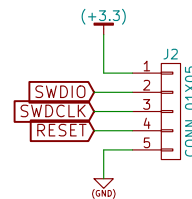
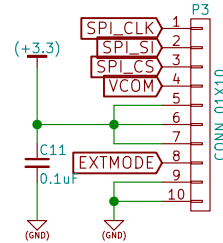


Corner Mounting Holes



Sharp Mem Disp Connector

Coretex Debug/Program Connector



Sheet: /  
File: epoch.sch

**Title:**

Size: A4  
KiCad E.D.A. kicad 4.0.5

Date:

**Rev:**

Id: 1/1